

# HI-QuadCore 2.0 AWP

## Horizontal installation / Corner flashing



### General considerations for HI-QuadCore 2.0 AWP panels installation

#### Product safety

It is necessary to consider the information contained in the Product Safety Data Sheet, available by contacting the technical service.

#### Precautions

Avoid concentrated loads on the panels during storage to prevent the appearance of dents and deformations.



### Installation accessor

For a correct assembly, it is necessary to have the following types of finials and accessories, as well as other specific finial elements for each work, and that HUURRE can provide:



Starter plate



EPDM joint



Filler



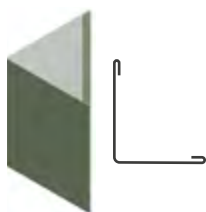
PIR foam insulation



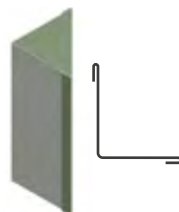
Self-drilling screw



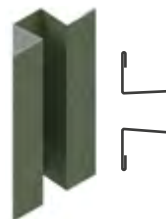
Load distribution plate



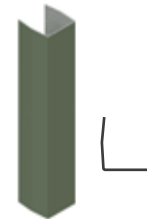
Corner flashing  
External angle



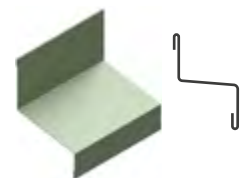
Corner flashing  
Inner angle



Omega flashing



U-shaped flashing



Rain guard  
flashing



Download the latest version by scanning the QR code or by clicking [here](#)



# HI-QuadCore 2.0 AWP

## Horizontal installation / Corner flashing



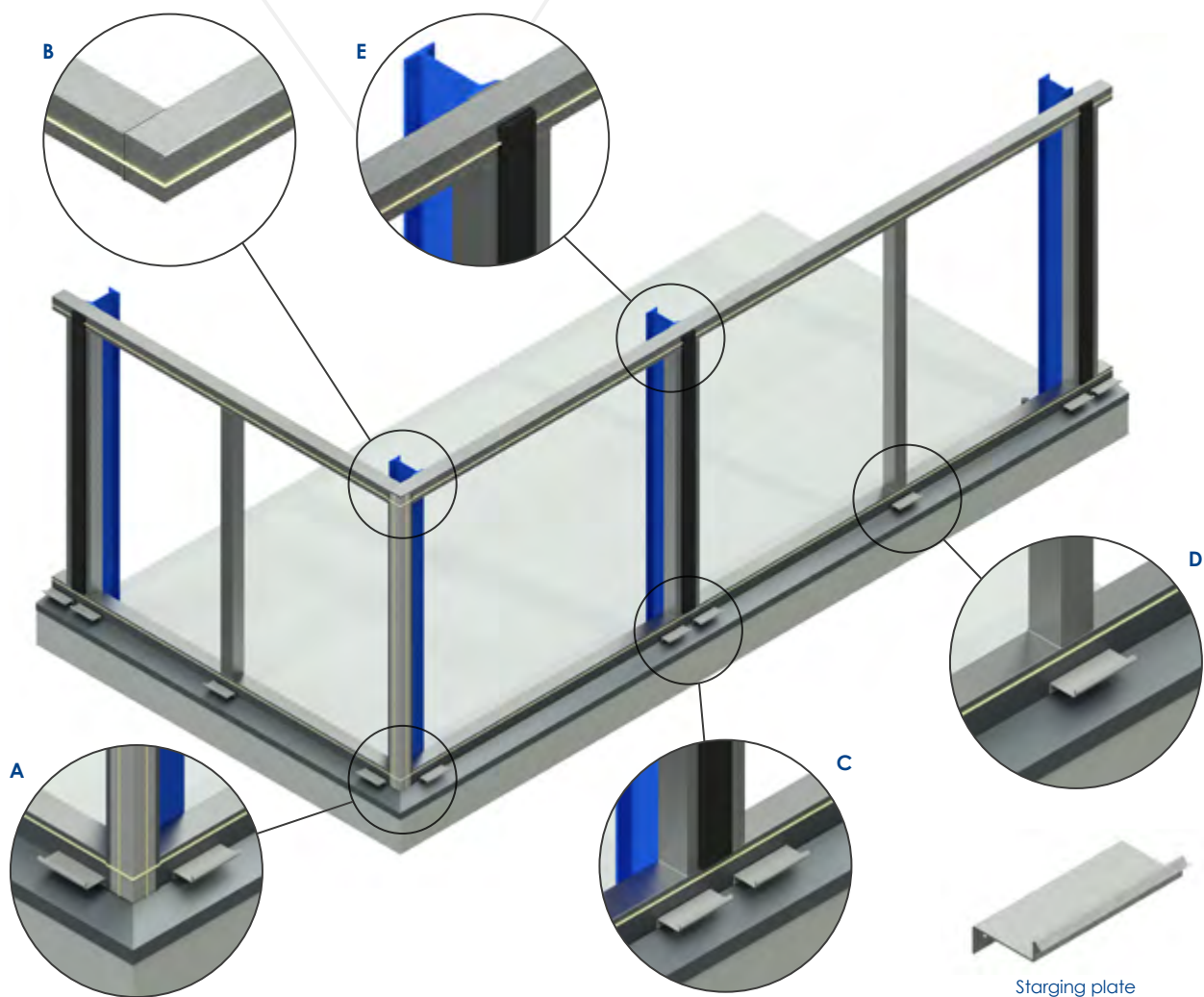
### Assembly of facade panels (horizontal with corner flashing)

#### Considerations

The steel structure must be properly aligned and levelled. The panels must always be installed starting with the lower panel, fitting the groove of the outer sheet into the starting plates. The construction details of the structure and the finishing are indicative, and may vary from one project to another (for example, in the attached diagram the type of purlins TZ-EC have been used as a substructure).

#### Assembly steps

1. Leveling and alignment of the substructure and fix the starting plates



- A. Fix the flashing with flat head screws to the bottom support or wall.
- B, E. Apply a  $\varnothing$  6mm sealing bead (or a weather stripping) around the entire perimeter of the lower rain guard and the upper support.
- C, E. Place the EPDM joint adhered to the pillars profiles where the vertical panel joint will be located.
- D. Fix the starting plates of the panel to the structural profiles or wall.

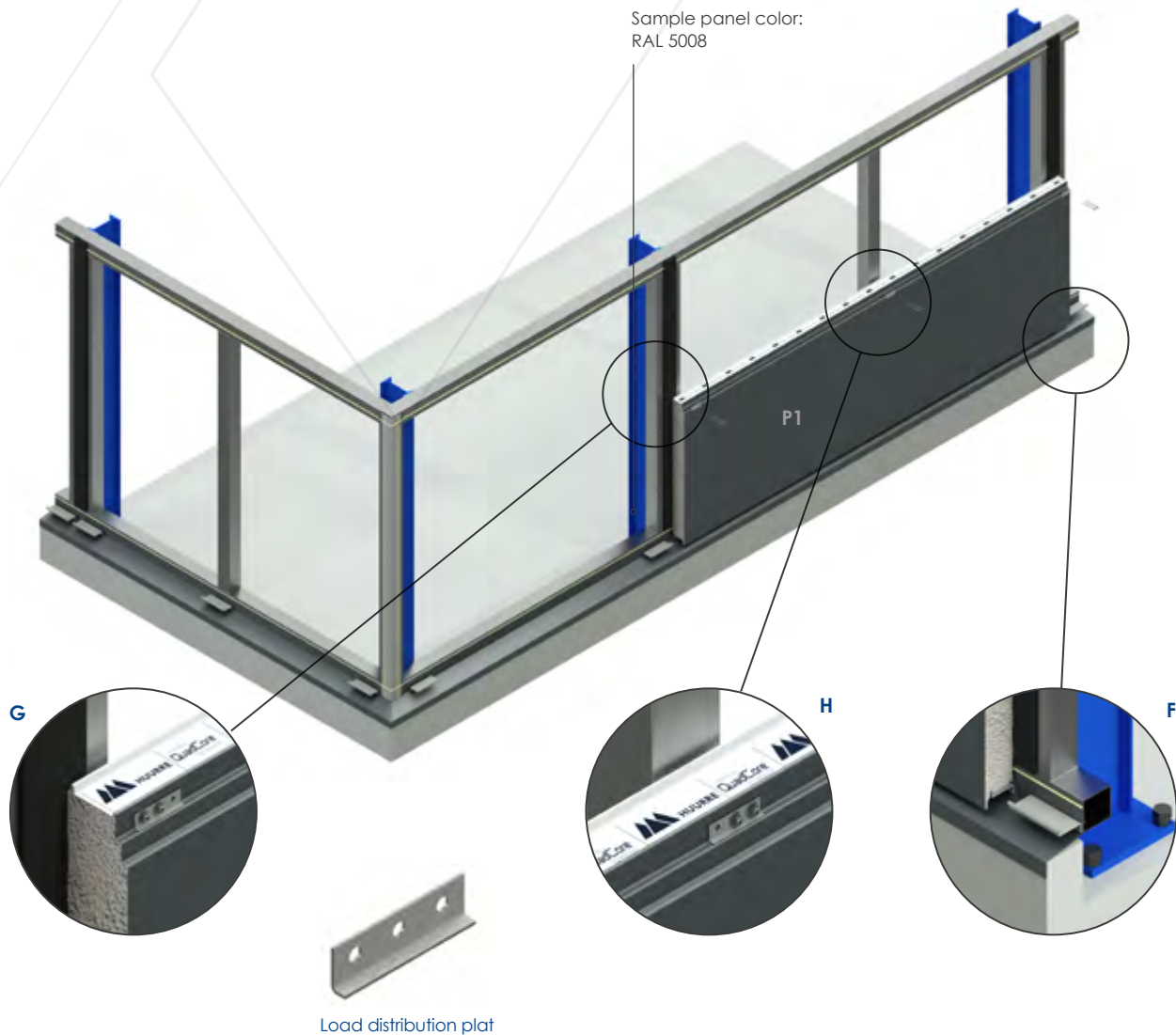
# HI-QuadCore 2.0 AWP

## Horizontal installation / Corner flashing



### Assembly steps

2. Assembly of the first panel.



**F.** Locate and install the first HI-QuadCore 2.0 AWP panel ensuring that it is correctly leveled and the slot on the outer face fits into the previously installed starter plates. At the bottom, there must be a 5mm space between the outer sheet of the panel and the flashing for a proper water guard.

**G, H.** Fix the panels to the structural profiles by means of screws and load distribution plates.

NOTE: The number of fixing screws per support will depend on the loads applied to the panel.

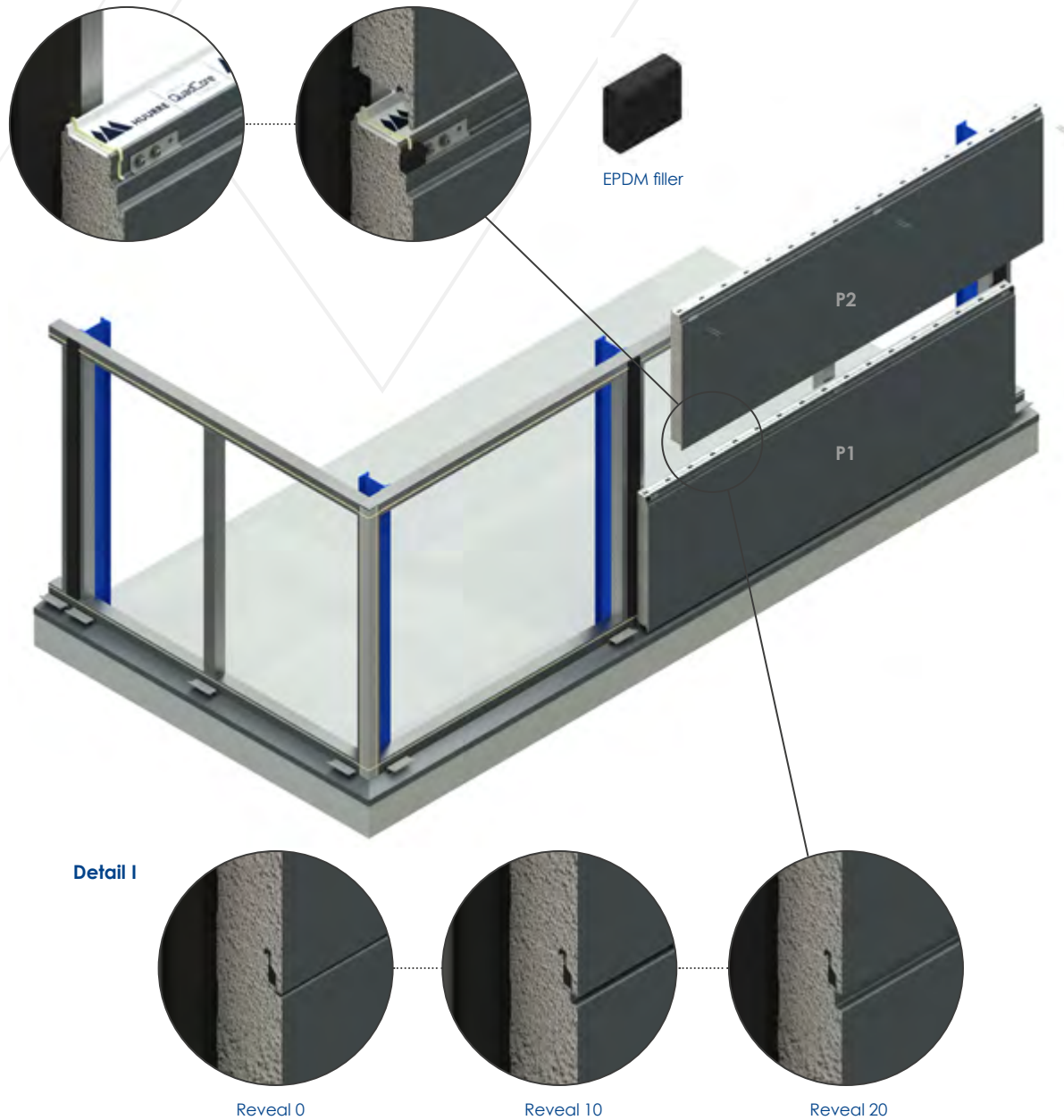
# HI-QuadCore 2.0 AWP

## Horizontal installation / Corner flashing



### Assembly steps

3. Assembly of the second panel.



I. Place the next panel according to the previous steps, including the sealing beads and the EPDM fillers at the longitudinal ends of the panel joint to guarantee watertightness. The gap in the longitudinal joint between panels will depend on the reveal chosen.

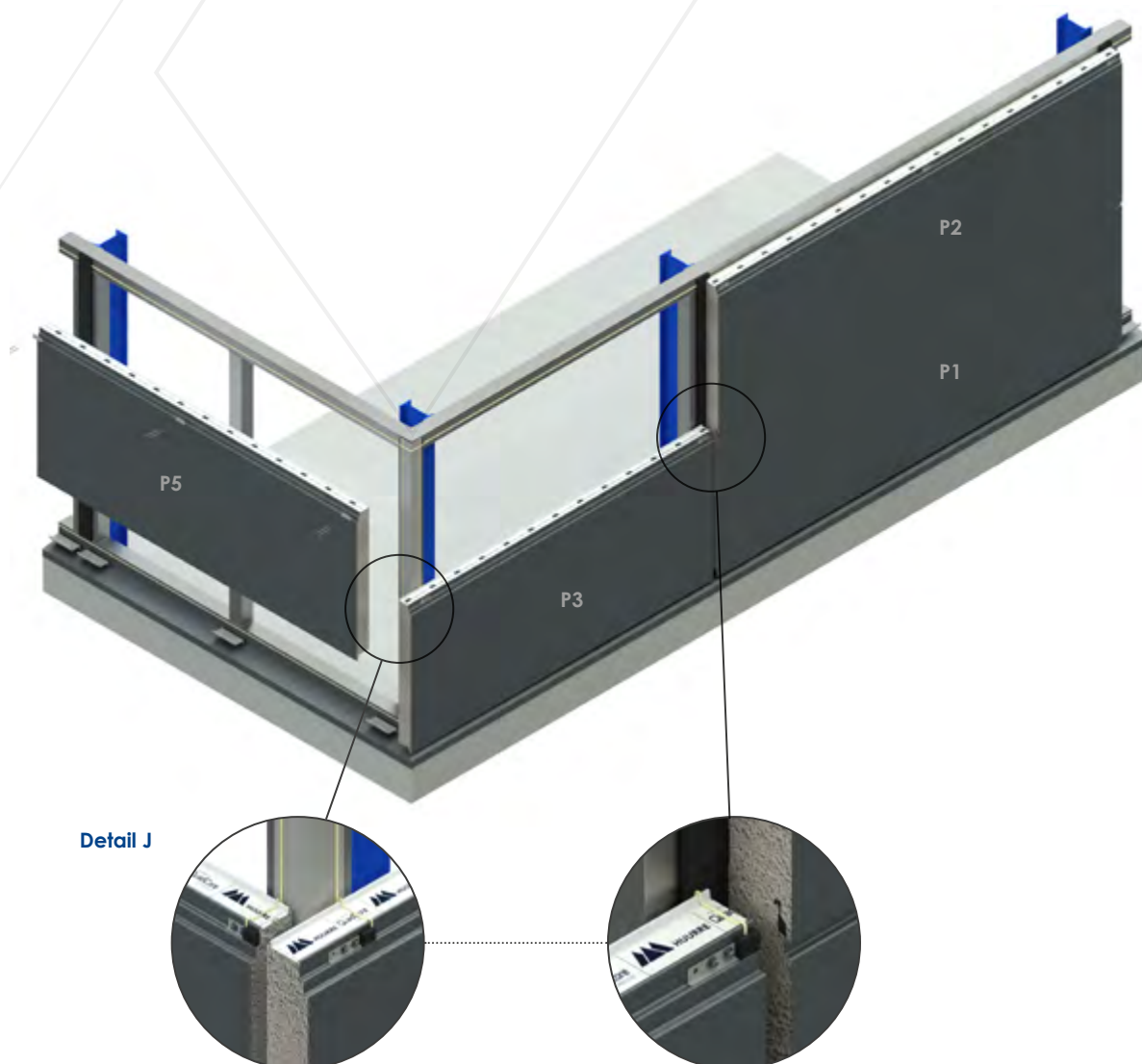
# HI-QuadCore 2.0 AWP

## Horizontal installation / Corner flashing



### Assembly steps

4. Assembly of the following panels.



**J.** Install the following panels following the steps above. The modulation of the panels must match the ends in the corners as shown in the figures.

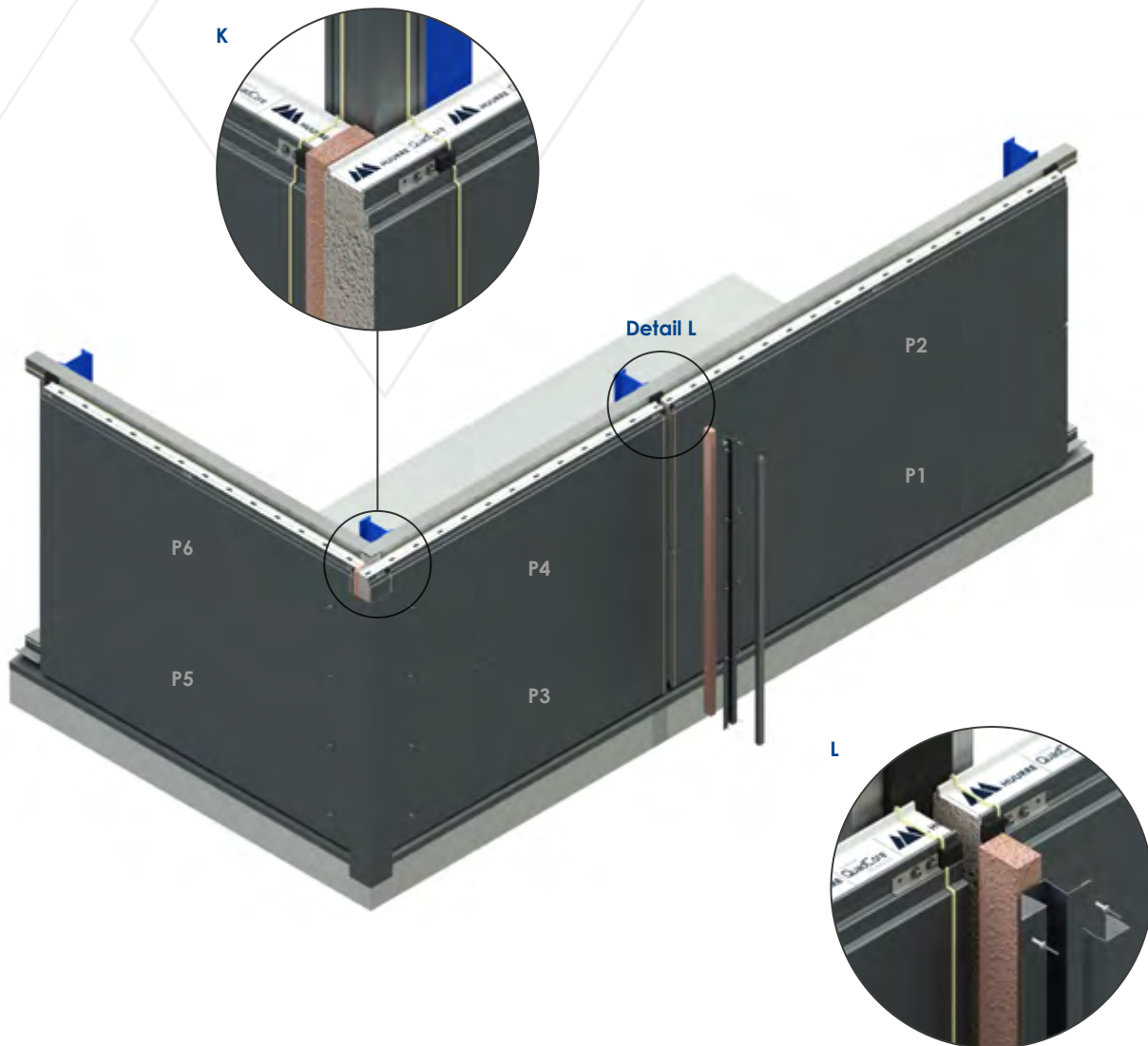
# HI-QuadCore 2.0 AWP

## Horizontal installation / Corner flashing



### Assembly steps

5. Preparation of finials in the panel joint and facade corners.



**K.** Place the PIR foam insulators flush in the gaps between panels in the corners of the façade, to later fix the finishing profiles.

**L.** Once all the panels are fixed, place the PIR foam insulators in the gap between the vertical joints. Then apply a bead of sealing at the end of the panel before placing the filler in the joint. Place the omega flashing in the vertical joint.

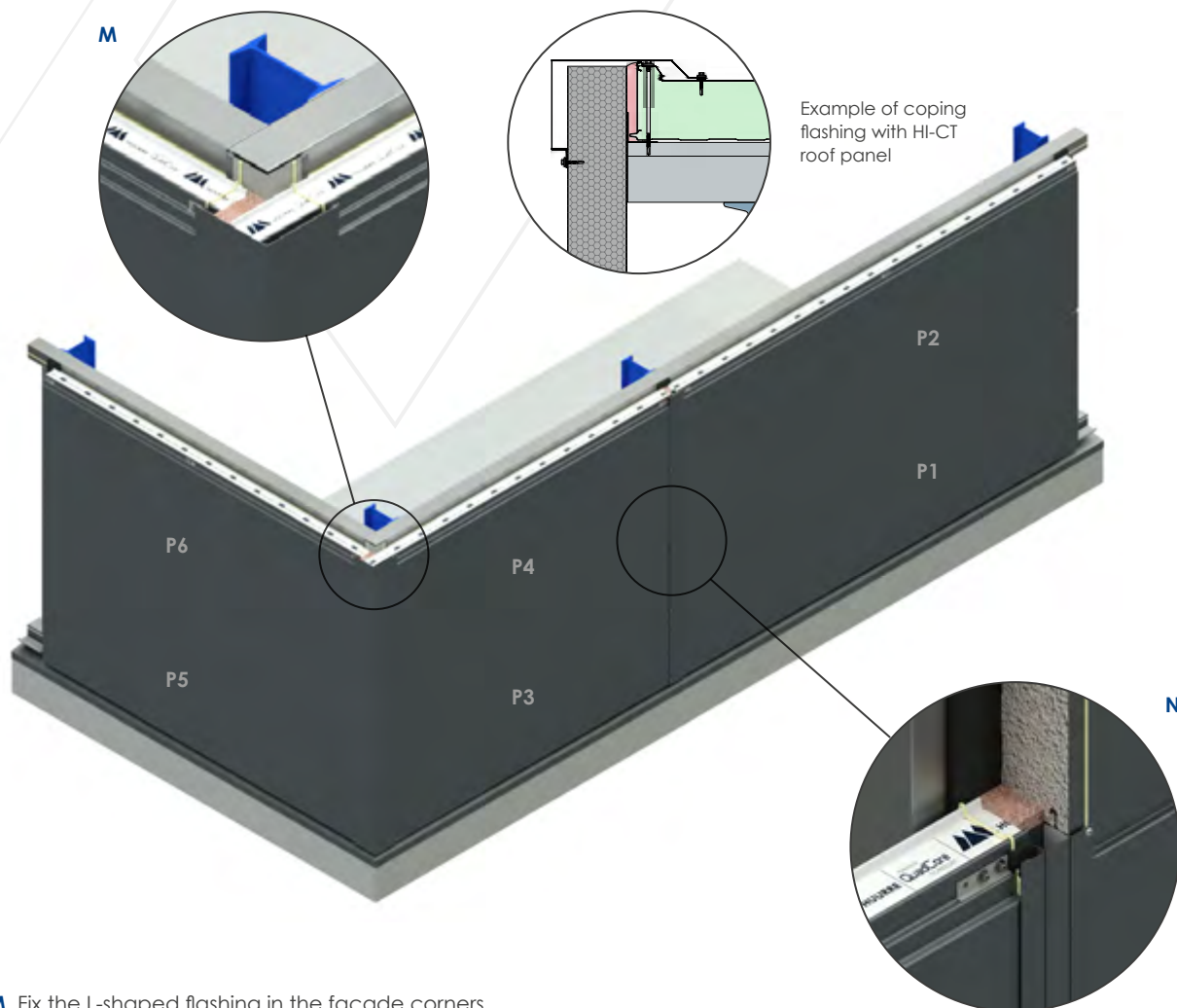
# HI-QuadCore 2.0 AWP

## Horizontal installation / Corner flashing



### Assembly steps

6. Assembly of flashings in panel joints and facade corners.



**M.** Fix the L-shaped flashing in the facade corners.

**N.** Fix the flanges of the omega flashing to the outer sheet of the panel. Finally, press-fit the U-shaped profile arranged as a trim.



### Huurre Ibérica S.A.U.

Carrer Serinyà 43  
Polígon Industrial el Trust  
17244 Cassà de la Selva – Girona

☎ (+34) 972 463 085

📠 (+34) 972 463 208

✉ huurre@huurreiberica.com



HUURRE IBÉRICA reserves the right to modify the content of this document without prior notice. Every effort has been made to ensure that the content of this publication is accurate, but HUURRE IBÉRICA and its affiliated companies are not responsible for errors or information that may be misleading. Suggestions regarding the final use or application of the products or work methods are merely informative and HUURRE IBÉRICA and its subsidiaries do not accept any responsibility in this regard.