

# HI-QuadCore 2.0 AWP

## Vertical installation



### General considerations for HI-QuadCore 2.0 AWP panels installation

#### Product safety

It is necessary to consider the information contained in the Product Safety Data Sheet, available by contacting the technical service.

#### Precautions

Avoid concentrated loads on the panels during storage to prevent the appearance of dents and deformations.



### Installation accessories

For a correct assembly, it is necessary to have the following types of finials and accessories, as well as other specific finial elements for each work, and that HUURRE can provide:



Starter plate



Filler



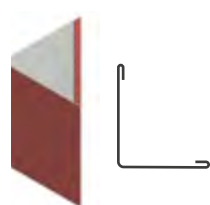
PIR foam insulation



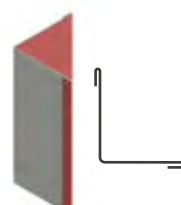
Self-drilling screw



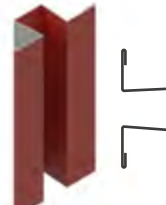
Load distribution plate



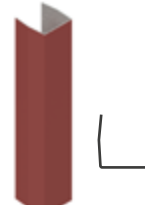
Corner flashing  
External angle



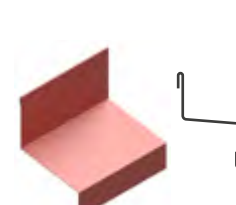
Corner flashing  
Inner angle



Omega flashing



U-shaped flashing



Rain guard  
flashing



Download the latest version by scanning the QR code or by clicking [here](#)





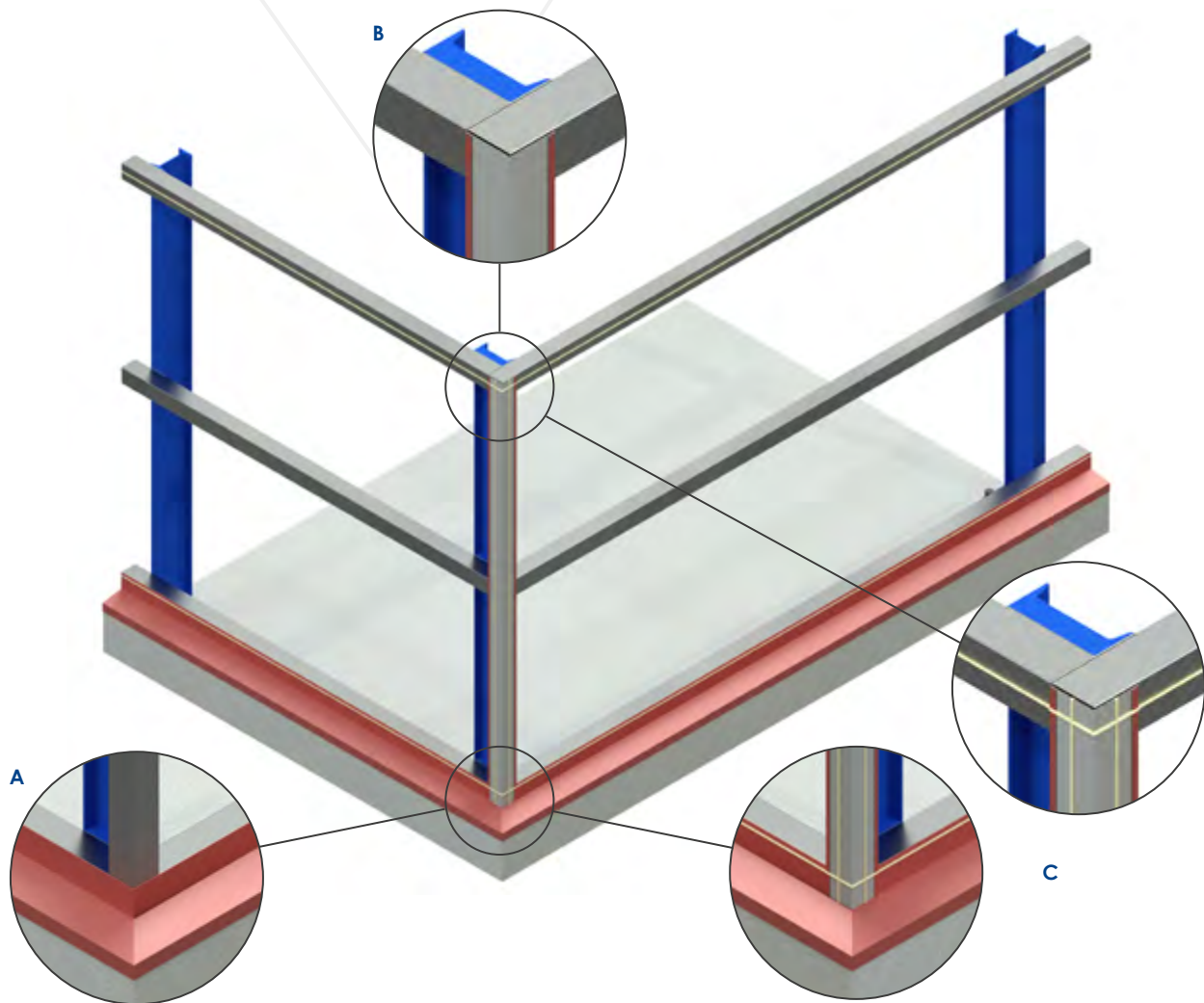
### Assembly of facade panels (vertical)

#### Considerations

The steel structure must be properly aligned and levelled. The panels must always be installed starting with the lower panel, fitting the groove of the outer sheet into the starting plates. The construction details of the structure and the finishing are indicative, and may vary from one project to another (for example, in the attached diagram the type of purlins TZ-EC have been used as a substructure).

#### Assembly steps

1. Leveling and alignment of the substructure and placement of sealing beads for optimum sealing.



- A. Fix the flashing with flat head screws to the bottom support or wall.
- B. Align and level the inside corner angle. Apply a  $\varnothing 6$  mm sealing bead (or a weather stripping) around the entire perimeter of the lower rain guard and the upper support.
- C. Apply a  $\varnothing 6$  mm sealing bead on both flanges of the inside corner before placing the panel.

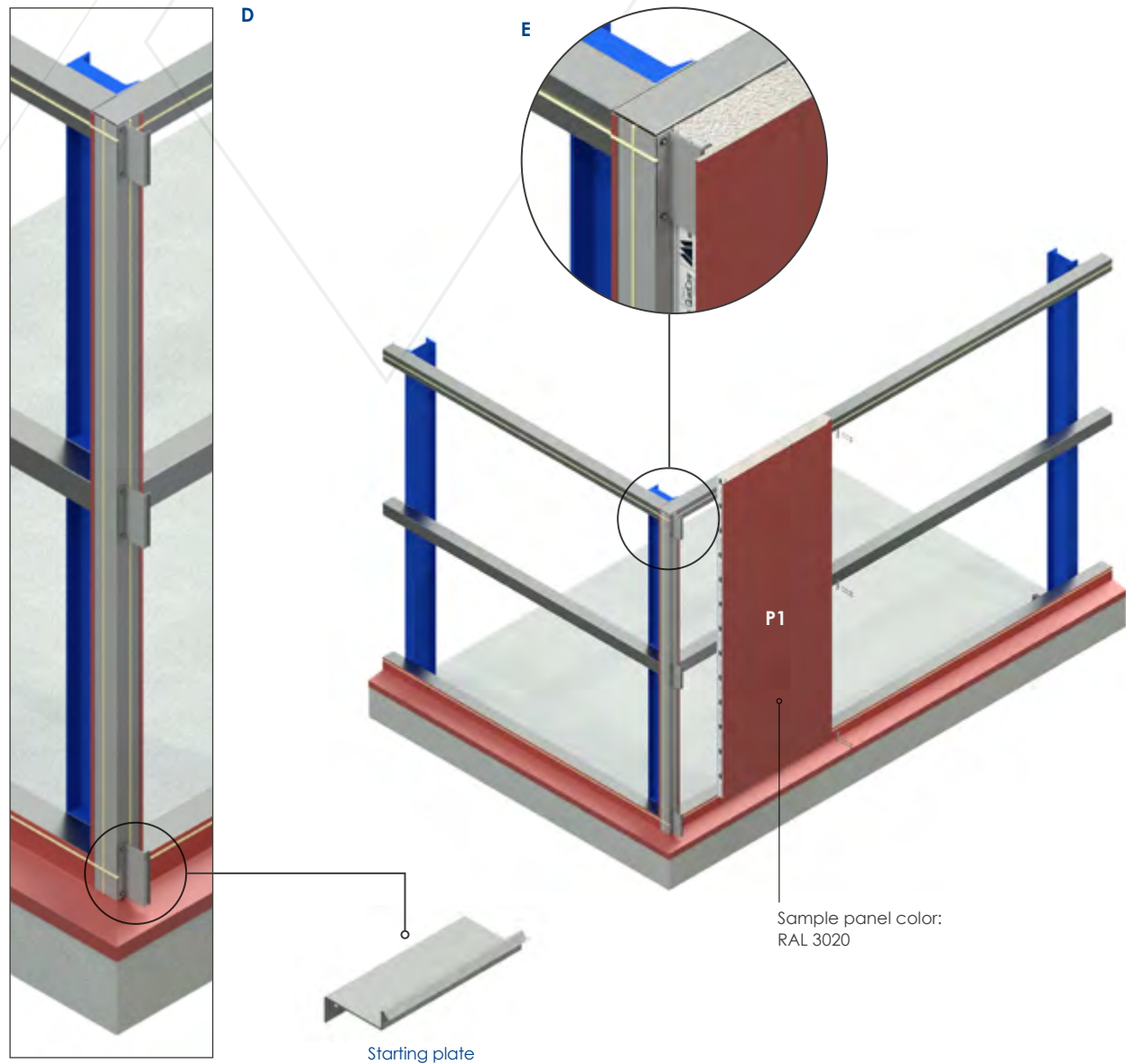
# HI-QuadCore 2.0 AWP

## Vertical installation



### Assembly steps

2. Placement of the starting plates between pillars and assembly of the first panel.



**D.** Aligned placement of the starter plates fixed to the support structure of the façade.

**E.** Locate and install the first HI-QuadCore 2.0 AWP panel ensuring that it is correctly leveled and the slot on the outer face fits into the previously installed starter plates. At the bottom, there must be a 5mm space between the outer sheet of the panel and the flashing for a proper water guard.

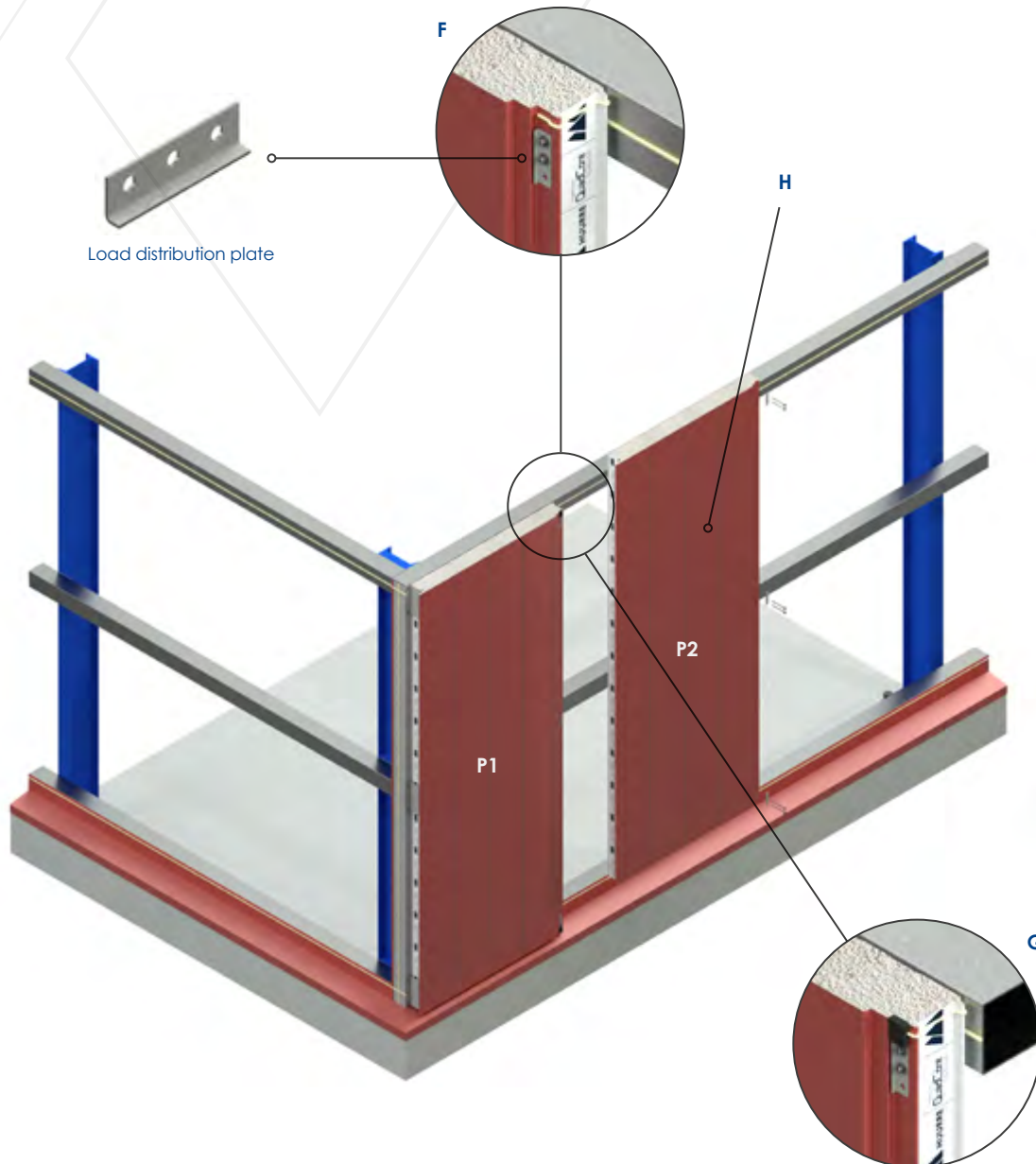
# HI-QuadCore 2.0 AWP

## Vertical installation



### Assembly steps

3. Fastening of the first panel and assembly of the second panel.



**F.** Fix the panel on each purlin with self-drilling screws including  $\varnothing$  16mm EPDM washers. It is advisable to include a distribution plate to better distribute the load.

**G.** Place the fillers at the longitudinal ends of the panel joint to guarantee watertightness.

**H.** Align and assembly the second HI-QuadCore 2.0 AWP panel with the previously installed panel.

NOTE: The number of fixing screws per support will depend on the loads applied to the panel.

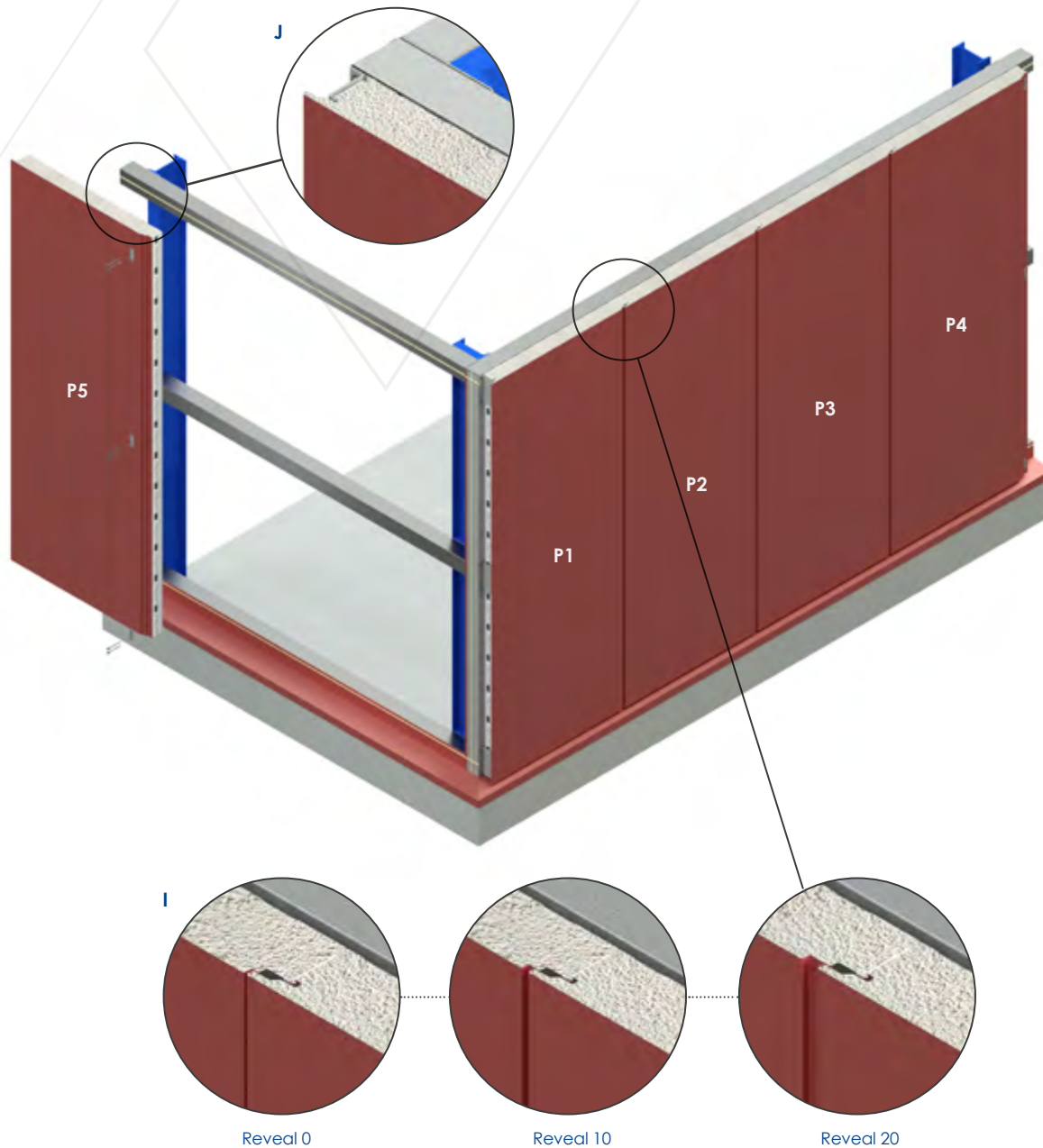
# HI-QuadCore 2.0 AWP

## Vertical installation



### Assembly steps

4. Assembly of the following panels.



I. Install the following panels following step number 3, fastening the panels to the supporting structure. The gap between the panels at the joint will depend on the reveal chosen.

J. In the next corner, proceed to the assembly by repeating the steps described above.

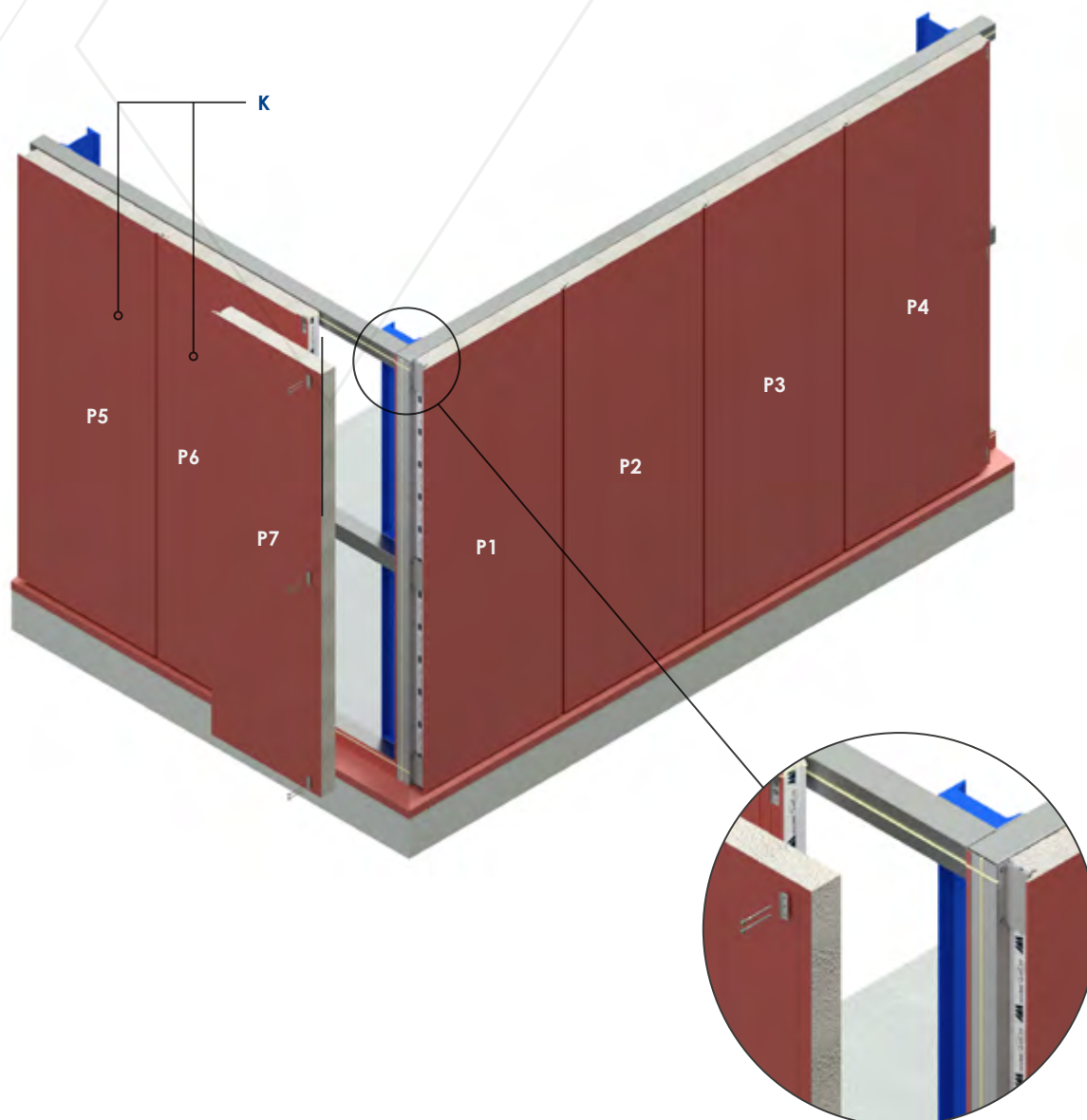
# HI-QuadCore 2.0 AWP

## Vertical installation



### Assembly steps

5. Assembly of the following facade panels.



**K.** Install the next panels following step 3 until you reach the corner.

**L.** Cut the last panel following the recommendations on the panel handling sheet.

NOTE: The number of fixing screws per support will depend on the loads applied to the panel.

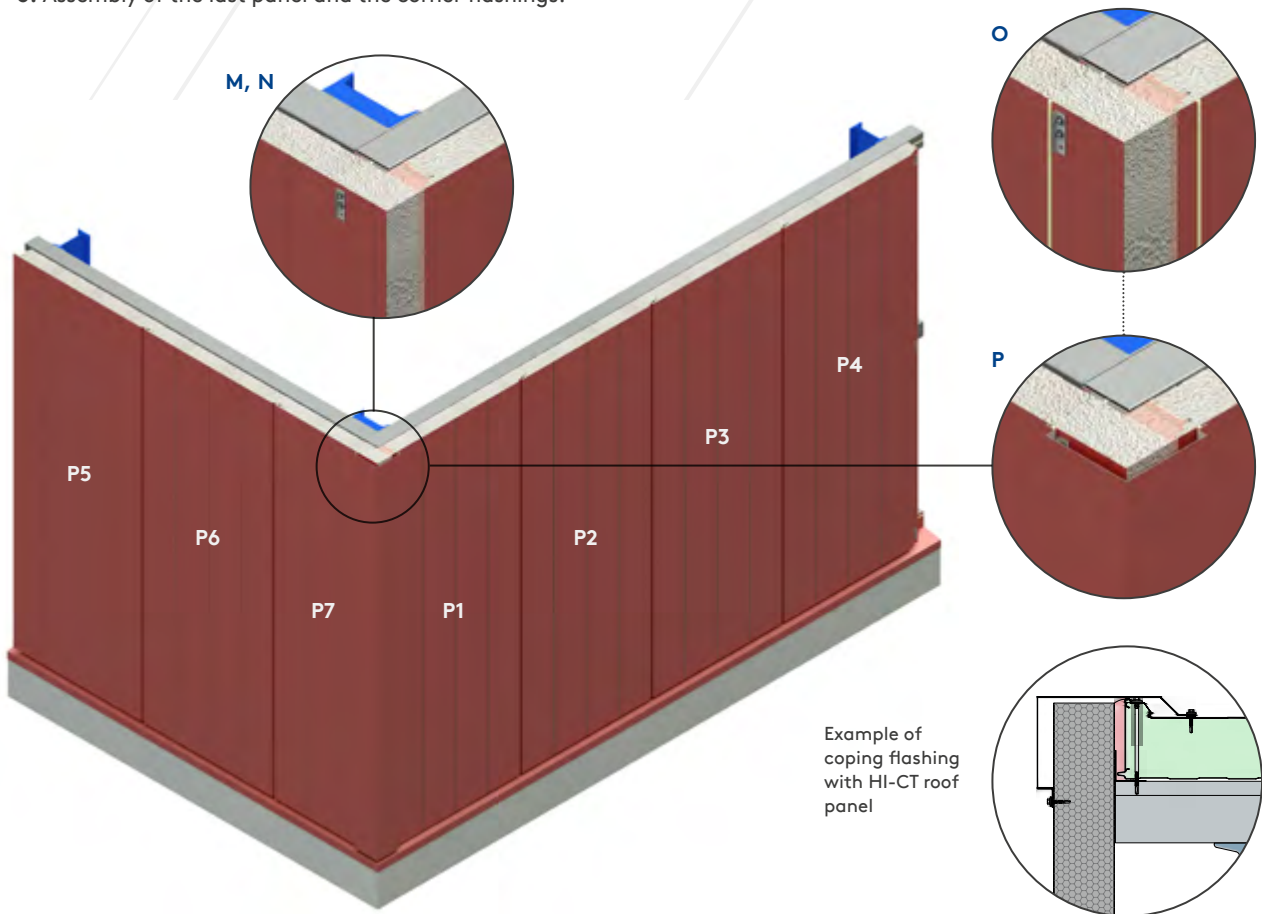
# HI-QuadCore 2.0 AWP

## Vertical installation



### Assembly steps

6. Assembly of the last panel and the corner flashings.



**M.** Seal the gap between panels with PIR foam insulation (B) to maintain thermal insulation in the corners.

**N.** Install the last panel using exposed fastening.

**O.** Apply two sealing beads in the lines on the panel that must coincide with both flanges of the corner trim, in order to ensure watertightness.

**P.** Fasten the corner flashing with screws.



### Huurre Ibérica S.A.U.

Carrer Serinyà 43  
Polígon Industrial el Trust  
17244 Cassà de la Selva – Girona

☎ (+34) 972 463 085

📠 (+34) 972 463 208

✉ huurre@huurreiberica.com



HUURRE IBÉRICA reserves the right to modify the content of this document without prior notice. Every effort has been made to ensure that the content of this publication is accurate, but HUURRE IBÉRICA and its affiliated companies are not responsible for any errors or information that may be misleading. Suggestions regarding the final use or application of the products or working methods are merely informative and HUURRE IBÉRICA and its subsidiaries do not accept any responsibility in this regard.