

HI-QuadCore 2.0 XT | HI-XT



Sandwich panel for roofs with metal faces and rigid insulating core

General considerations for installing HI-QuadCore 2.0 XT, HI-XT (HI-PIR XT) roof panels

Product safety

It is necessary to consider the information given on the Product Safety Sheet.

Precautions

In order to prevent scratches, dents and deformation during installation, rubber footwear must be worn, burrs must be eliminated after cutting and any concentrated loads on the panels should be avoided.

Fastenings

The fastening screws must be selected in accordance with the support material and the strength and durability requirements. The tightening torque for the screwdriver machine must be that necessary to guarantee correct fastening, avoiding excessive torque, which could cause surface deformation on the exterior panel sheet.

Protection film

Check that the protection film (if applicable) was com-



pletely removed while the panels were being secured to the support structure.

Earthing

It is recommended that the panels be earthed as well as the roof-support structure to avoid the accumulation of static electricity.

Installation without overlap

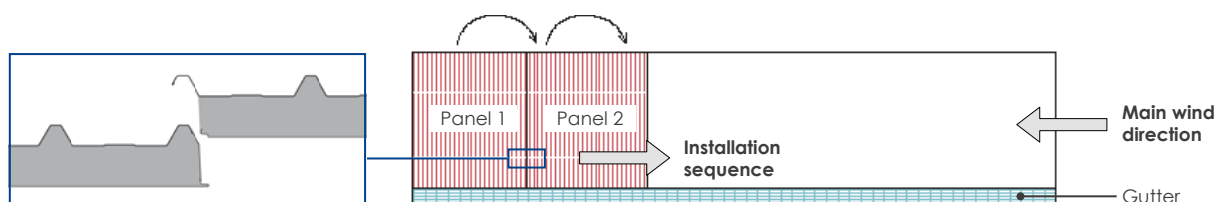
Minimum roof slope

4% (A minimum 5% roof slope is recommended)

Installation direction

The roof panel is asymmetrical and the installation direction is the opposite of the dominant wind direction.

Installation sequence

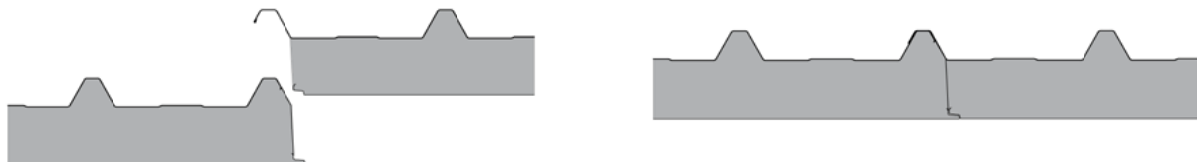


HI-QuadCore 2.0 XT | HI-XT



Sandwich panel for roofs

3. Fasten the first panel to the structure, starting with the rib that is contiguous to the side of the roof. The panel must be perfectly positioned on the support. The screw must be positioned perpendicular to the surface area and centred over the ridge.
4. Position the second panel and form the overlap of the sheet over the last rib on the already ir on the environmental conditions, it is recommended that sealant be applied to the high part the adjacent panel.



5. Fix the overlap rib between panels to the structure and place fasteners in the panel every 2 ribs at least.



6. Proceed in a similar way with the rest of the roof, with continual checking of alignment between panels and panel to structure alignment.
7. When the roof is completed, cut off the excess on the side of the last panel with a jigsaw or cold cutting disc and eliminate any chips that might remain on the surface after the cutting operation.
8. Install the remaining roof elements (flashings, finishes etc).

Installation with overlap

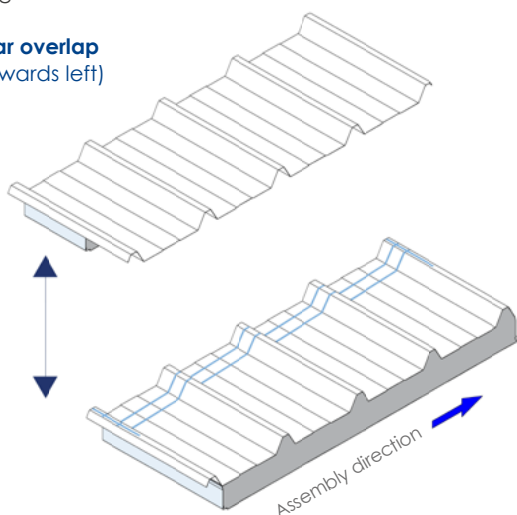
Minimum roof slope

7% (A minimum 10% roof slope is recommended)

Panel overlap

The connection between two overlapping panels must always be made over a purlin. The width of said purlin must be at least 80 mm. The recommended minimum overlap length is 200 mm.

Rear overlap (Towards left)

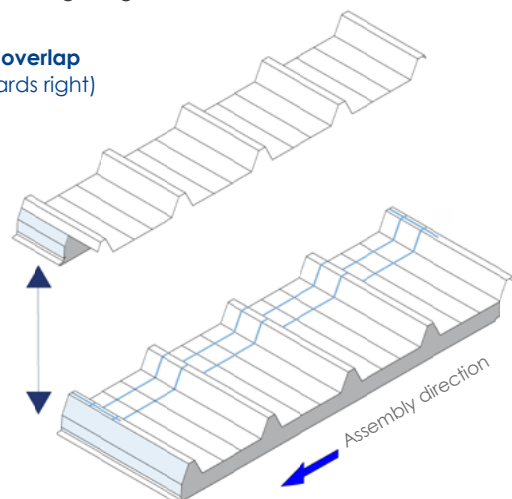


Installation sequence

HI-QuadCore 2.0 XT and HI-XT panels have a mounting sequence that must be respected, especially when overlapping the roof panels.

When ordering the panels, it must be indicated if a front (left) or rear (right) type of overlap is desired according to the following image:

Front overlap (Towards right)

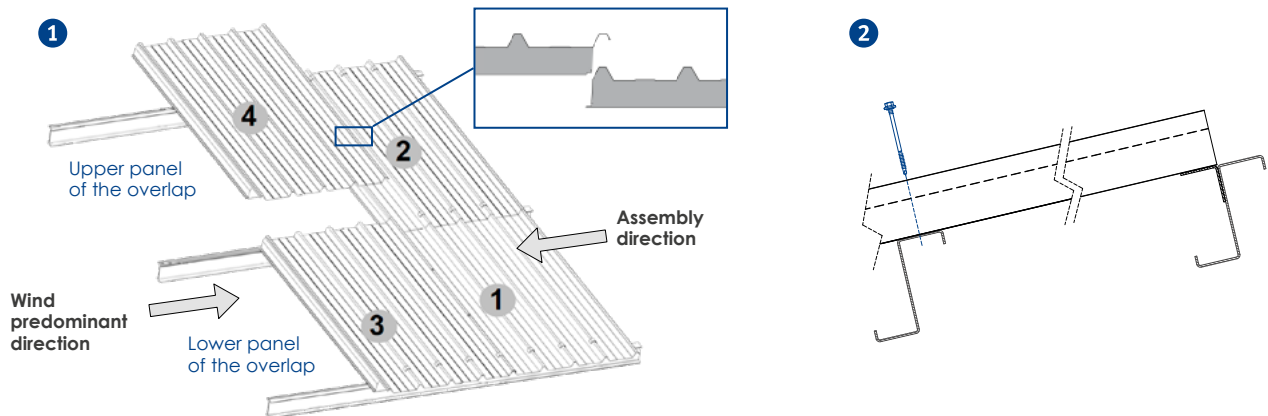




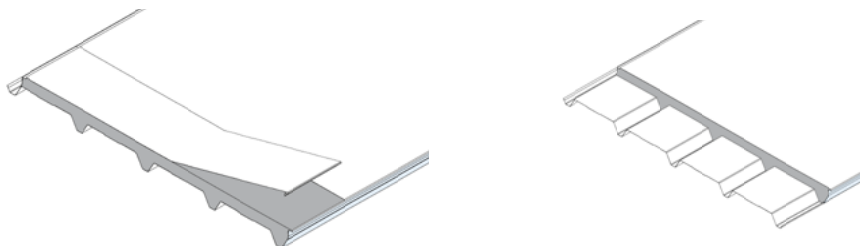
Sandwich panel for roofs

Assembly sequence

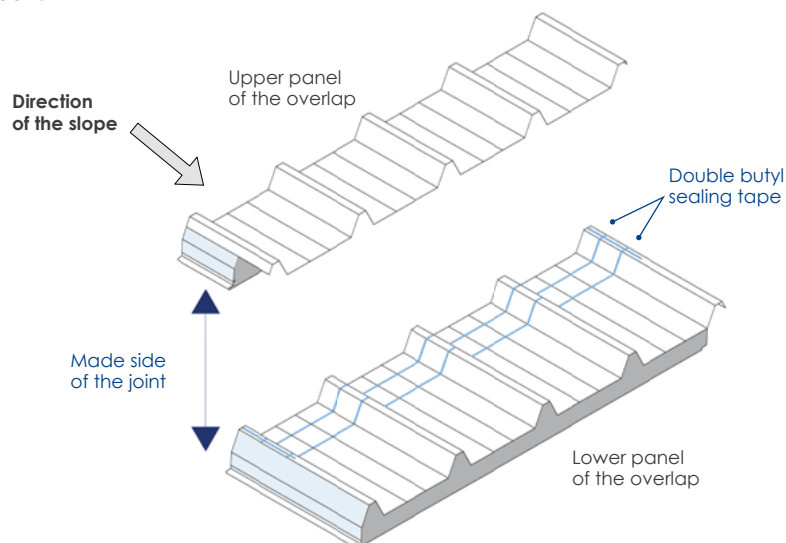
1. Remove the temporary protection film as the panels are installed (if applicable).
2. First install the panels on the lower part of the slope just as described for installation without overlap, but do not screw the panel to the upper purlin where the overlap will be formed. When the upper panels are installed, the lower and upper panel males must be on the same side of the panel.



3. If the overlap zone of the upper panel is fitted with foam, remove the inner sheet (precut) and the foam.
4. Apply the double butyl sealing tape to the overlap area on the lower panel, after prior cleaning and drying of the surface.



5. Install the panel for the upper part of the overlap. Fasten the panel of the lower part of the overlap to the purlin, followed by the upper part.

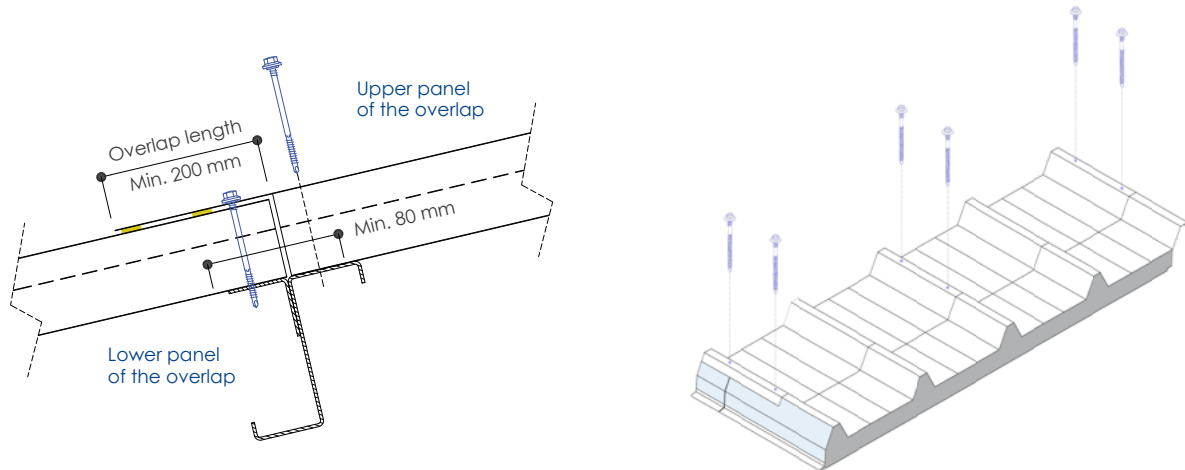


HI-QuadCore 2.0 XT | HI-XT

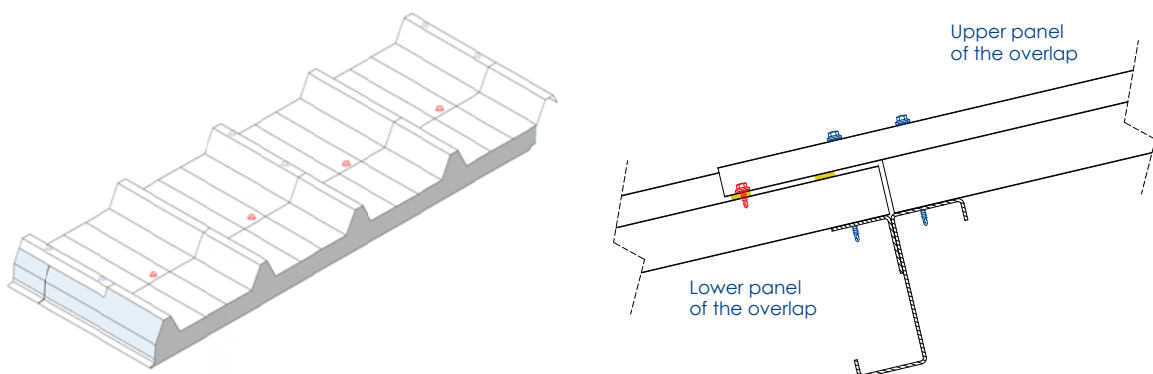
Sandwich panel for roofs



6. Fasten the lower part of the overlap to the purlin together with the overlap sheet of the upper panel. Lastly, fasten the upper panel to the purlin.



7. Screw the overlap sheet using 1 or 2 screws in each valley (shown in red on the drawing) to the lower panel.



Note: We recommend carrying out regular maintenance to prevent expansion that could affect the fixings on the overlap.

8. Follow the assembly sequence by placing the lower panel adjacent to the one already installed and act in the same way with the upper one, as shown in the beginning of the overlapping assembly instructions.

HI-QuadCore 2.0 XT | HI-XT

Sandwich panel for roofs



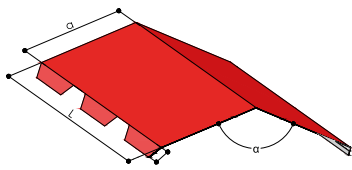
Complements and flashings

HUURRE has a wide range of finishes and complements available, which are ideal for simple comprehensive roof execution and obtaining optimum finishes.

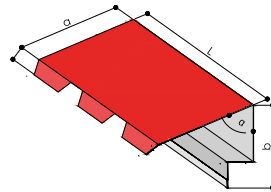
Flashings

These are made to measure with 0.6 mm thick steel sheet, according to the requirements of each specific client and project.

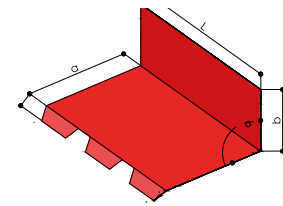
Length of the die-stamped finishes: Width of three panels + 200 mm overlap.



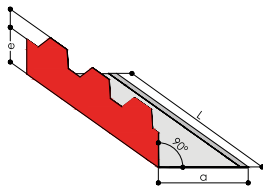
XT die-stamped ridge



XT slope apex crest

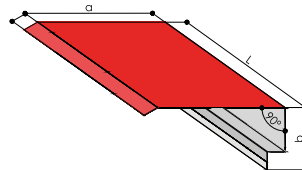


XT façade joint to slope Apex

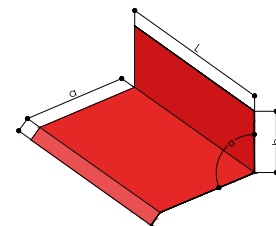


XT lower die-stamped slope finish

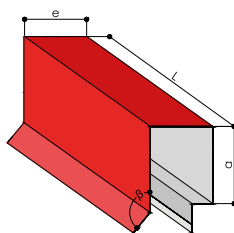
(Width: 1 panel)



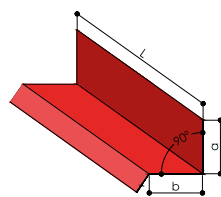
XT crest on lateral slope



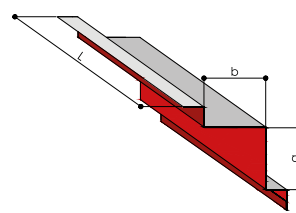
XT crest on façade to side



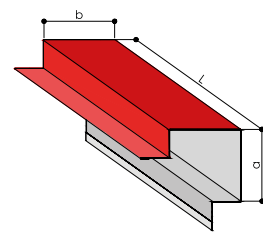
XT crest on coping



XT gutter



XT interior angle



Exterior angle

Ridge joint

Depending on the roof slope, the system water-tightness is completed with a closed-cell polyethylene foam profile that has panel rib geometry and adhesive to make installation easier. Length: 1.00 m.





Sandwich panel for roofs

Constructive details

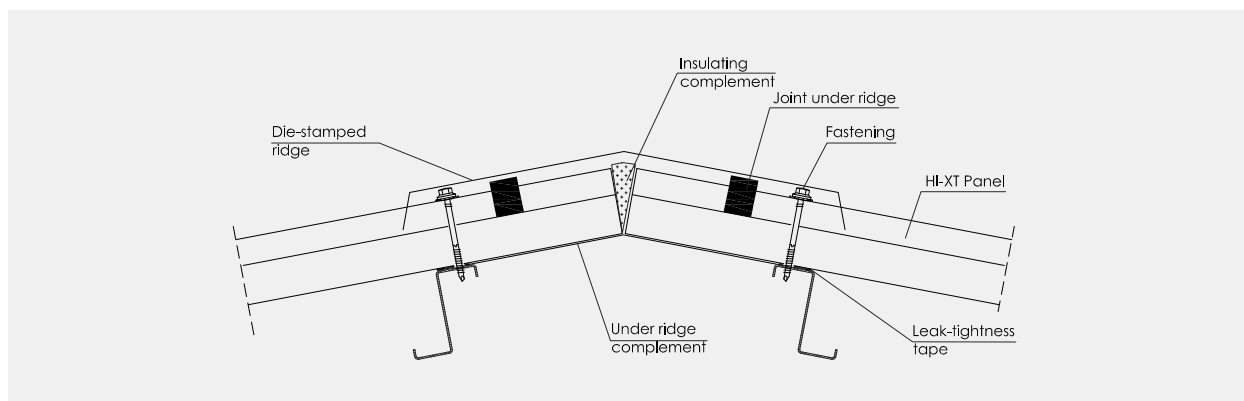
System installations that have visible fastenings require the use of electric screwdrivers fitted with depth limiters to prevent the screws from sinking into external surfaces of the elements being fastened.

Double-slope ridge

The roof ridge is finished with a die-stamped finish that is adapted to the ribbed panel profile.

The joint between the panels is filled with an insulating complement to provide insulation continuity.

It is recommended that sealing tape be employed between the panel and the first purlin to form a vapour barrier.

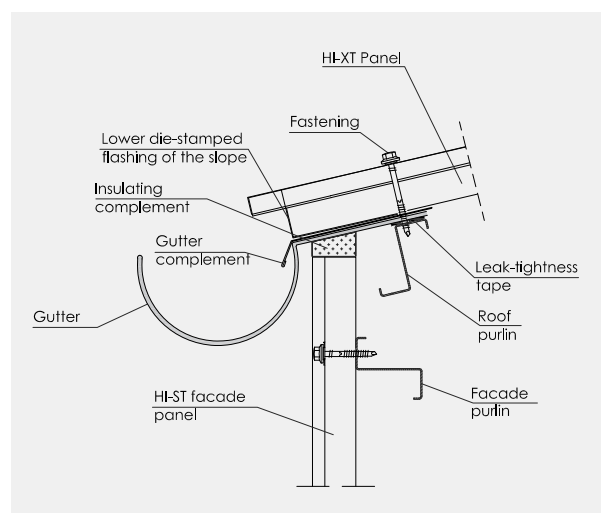


Joint between the roof, the façade and drainpipe

The drainpipe and guttering are supported on the last roof purlin or supporting structure element. A gutter profile leads to the drainpipe. A self-tapping screw will simultaneously fasten the panel, gutter and drainpipe.

It is recommended that water-tightness tape be employed between the panel and the gutter to form a vapour barrier.

Optionally, the isolating core of the roof panel will be covered by a die-stamped steel finish that adapts to the panel ribbing.



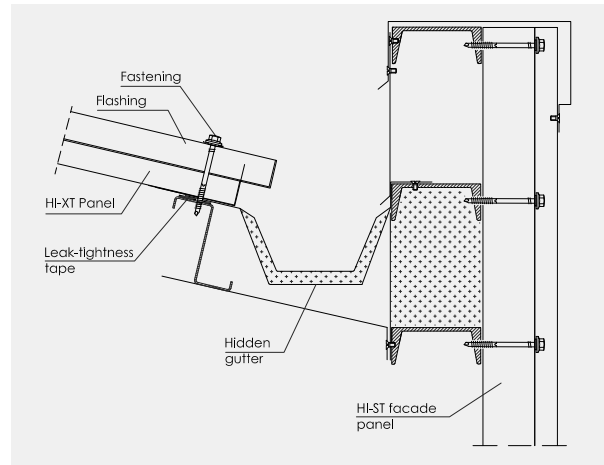
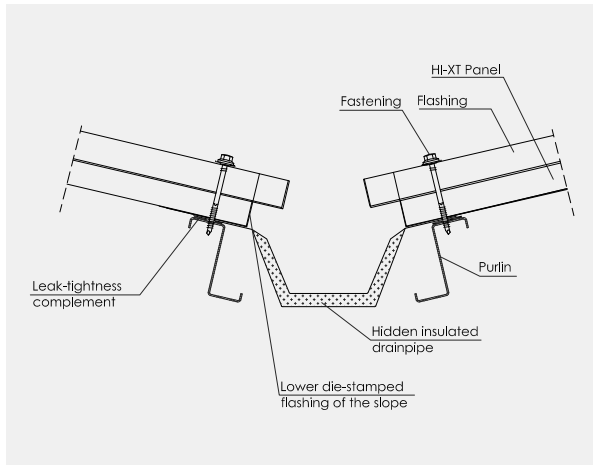


Sandwich panel for roofs

Joint between roof and interior drainpipe

If the drainpipe is interior, it must be insulated to ensure the continuity of the thermal insulation. The drainpipe will be supported on the roof purlins or on the last roof purlin and one on the façade.

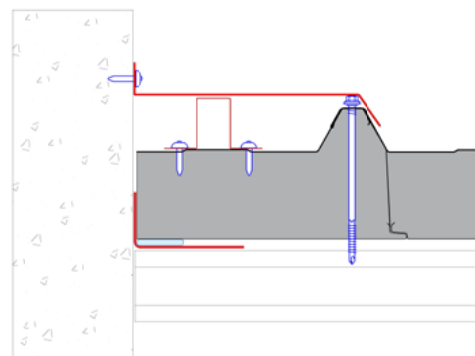
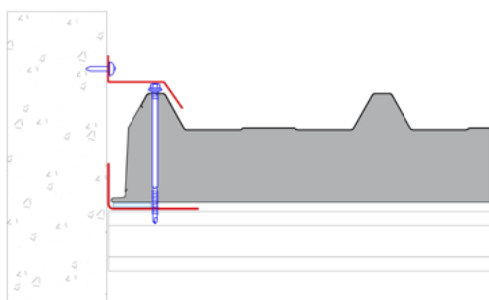
It is recommended that sealing tape be employed between the panel and the drainpipe to form a vapour barrier.



Inner-wall side joint

An interior angle, supported on the purlin, forms a guide for positioning the panel. It is recommended that sealing tape be employed between the panel and the angle as a vapour barrier.

The pre-lacquered steel profile of the gutter will be embedded in the wall and must be extended to the nearest ribbing on the panel. If necessary, an omega support profile will be fastened to the panel to support the gutter.



HI-QuadCore 2.0 XT | HI-XT



Sandwich panel for roofs

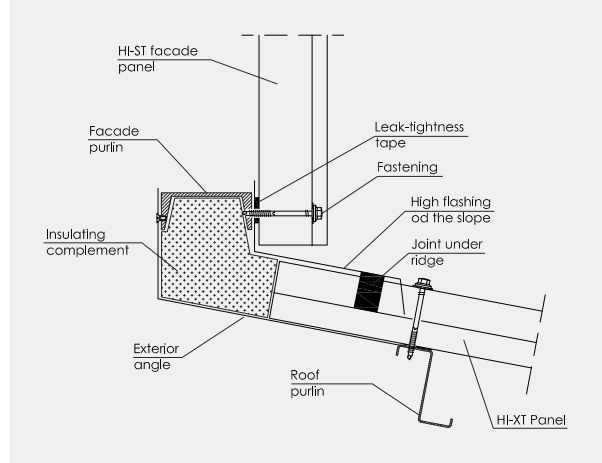
Joint between roof and façade

An insulating complement will be fitted to the joint between the roof panel and the façade to provide insulation continuity.

The ribbing interior will be ended with an angle in the pre-lacquered sheet and insulating tape will be applied to form a vapour barrier.

The exterior will be fitted with a die-stamped finish at the slope apex, which will be fastened to the façade purlin prior to installing the façade panel.

If the finish is not die-stamped, a polyethylene membrane profile will be installed that adapts to the panel ribbing.

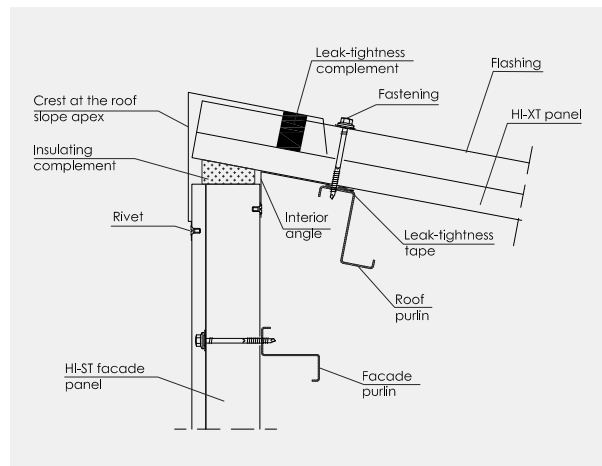


Roof joint with the façade in high slope position

The crest at the roof slope apex with the façade is finished using a die-stamped finish.

If the finish is not die-stamped, a polyethylene profile will be installed as a water-tightness complement.

The joint between the panels is filled with an insulating complement to provide insulation continuity. The finish profile will be riveted to the panels.



Download the latest version by scanning the QR code or by clicking [here](#)

Huurre Ibérica S.A.U.

Carrer Serinyà 43
Polígon Industrial el Trust
E17244 Cassà de la Selva
Girona (Spain)

☎ (+34) 972 463 085

☎ (+34) 972 463 208

✉ huurre@huurreiberica.com

